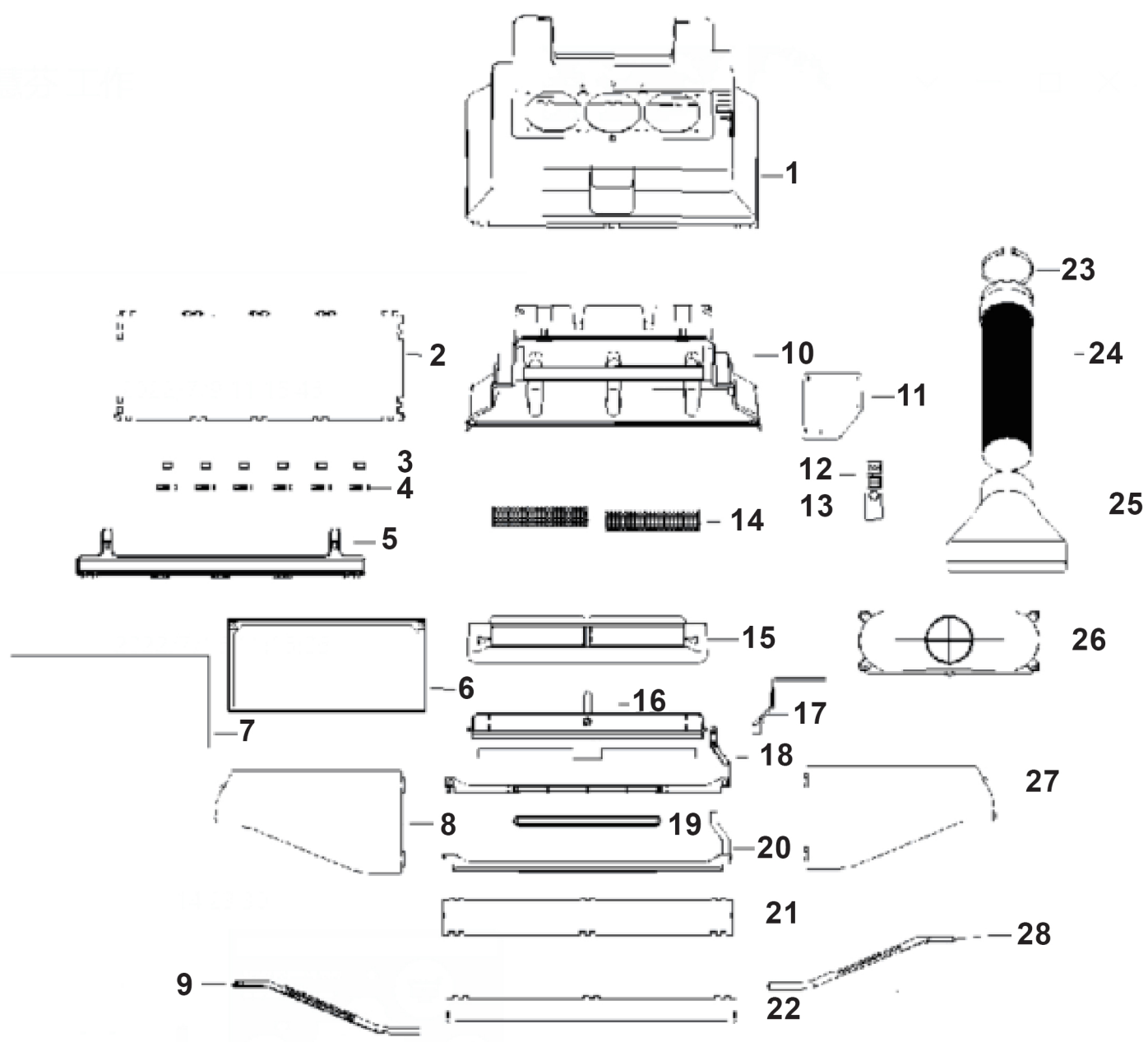


Part list:



1	Outer shell	11	Cover board	21	Big wind deflector
2	Working table	12	Power Switch	22	Small wind deflector
3	Adjusting screw nut	13	Adjusting knob	23	Metal retainer ring
4	Adjusting feet	14	Filter	24	Extension tube
5	Supporting plate	15	Filter tank	25	Tube head
6	Filter frame	16	Water tank	26	Horn cover
7	Filter	17	Wire cover	27	Right wind board
8	Left wind board	18	Long lamp cover	28	Right led tube
9	Left led tube	19	Long lamp shade		
10	Water tank	20	Long lamp holder		

INSTRUCTION MANUAL

SPRAY BOOTH HS-E600

Please thoroughly review this Instruction Manual carefully before



Specification:

Motor: DC12V 5A
 Input: AC100-240V 50/60HZ
 Air flow: 11 m³/min
 Working voltage (Led light): 12V
 Power (Spray Booth) : 76W
 Power (Water Pump) : 20W
 H-max (Water Pump): 1.5M
 Max Depth (Water Pump) : 2M

Luminous flux (Led light): 2430 LUX
 Noise level: 53 DB
 Extend dimension: 600X490X500 MM
 Shrink dimension: 600X265X465 MM
 Net Weight: 8.7KG
 Output (Water Pump) : 900L/H
 Max Temp: 35°C